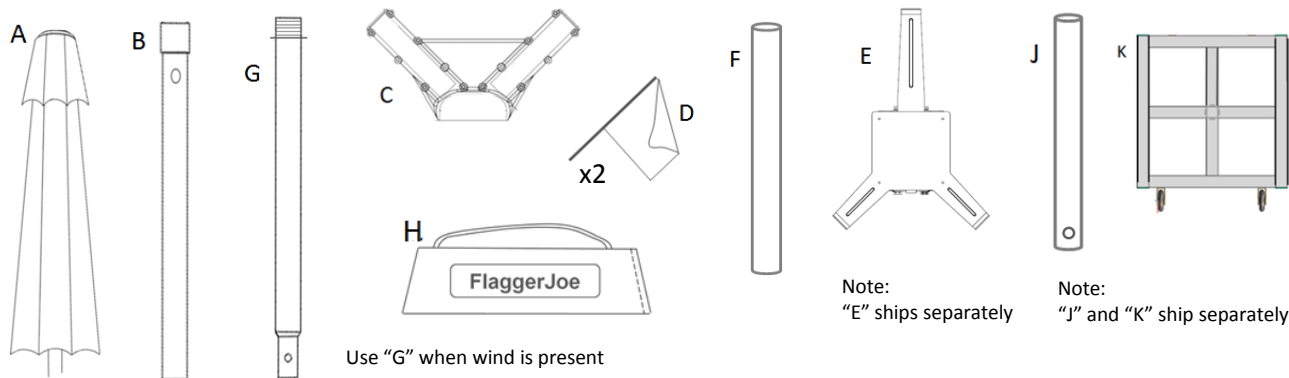


# FlaggerJoe Assembly Instructions

Item: FJ-SSUMB10 - Safety Sign System

# FRONT

- A = Umbrella Canopy
- B = Lower Umbrella Pole
- C = Double Flag Finial
- D = Flags (2)
- E = Sign Mount
- F = 34" Black PVC Post
- G = Extra Top Pole for Wind
- H = Carry / Storage Bag
- J = 24" Black PVC Post
- K = Rolling Base



Use "G" when wind is present

Note: "E" ships separately

Note: "J" and "K" ship separately

Note: 40lb Sand Bag/Weight required but not included

Questions: Call Customer Service at 888-329-3436

### Step 1

Slide 24" black pvc post (J) into center post of rolling base (K). Line up hole in "J" with threaded knob. See figure 1

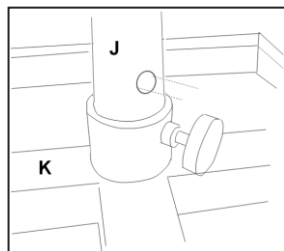


Figure 1

### Step 2

Slide lower umbrella pole (B) into 24" black PVC post (J). Hand tighten threaded knob pictured in Figure 1.

### Step 3

Open umbrella canopy (A) – Slide pin into the highest position so the canopy is now open and secure. See Figure 2.

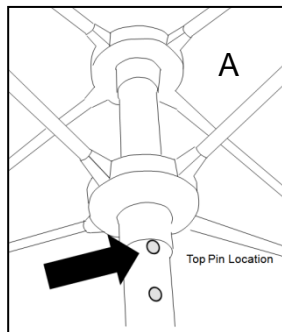


Figure 2

### Step 4

Remove protective cap on the top of the umbrella canopy (A) and screw Double Flag Finial (C) into position.

### Step 5

Insert both Flags (D) into Double Flag Finial (C) – Position flags properly.

### Step 6

Slide 34" black pvc post (F) into the bottom of the Sign Mount (E) and tighten 1" from the top of the pvc post. This position will allow for the Stop/Slow Signs to sit 6' off the ground. See Figure 3.

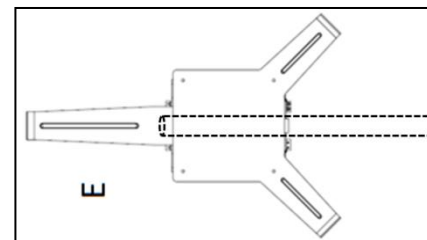


Figure 3

### Step 7

While the umbrella canopy (A) is on the ground – Slide the Sign Mount and pvc post (E&F) onto the umbrella pole. Make sure the entire post slides past the push button and up the pole. See Figure 4.

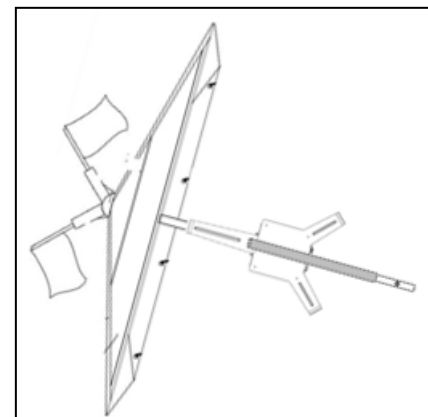


Figure 4

# FlaggerJoe™

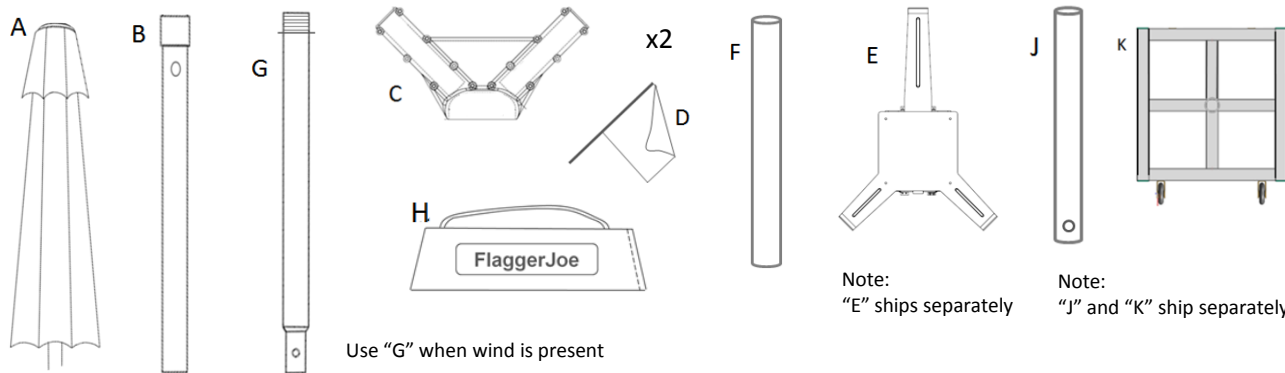


# FlaggerJoe Assembly Instructions

Item: FJ-SSUMB10 - Safety Sign System

# BACK

- A = Umbrella Canopy
- B = Lower Umbrella Pole
- C = Double Flag Finial
- D = Flags (2)
- E = Sign Mount
- F = 34" Black PVC Post
- G = Extra Top Pole for Wind
- H = Carry / Storage Bag
- J = 24" Black PVC Post
- K = Rolling Base



Note: 40lb Sand Bag/Weight required but not included

Questions: Call Customer Service at 888-329-3436

## Step 8

Connect umbrella canopy (A) with lower umbrella pole (B) by either lifting the umbrella off the ground and inserting the top pole into the bottom pole or move the rolling base over to the umbrella pole and connect while on the ground. Make sure button pops out of hole in the side of the lower umbrella pole (B)

## Step 9

Stand the umbrella up.

## Step 10

Inspect the double flags to make sure they are visible to oncoming traffic. If out of position, tilt the umbrella down and re-position by rotating "C". See Figure 5.

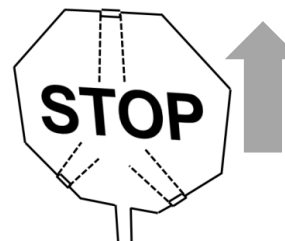
Figure 5



## Step 11

Insert Stop/Slow signs on to sign mount (E). The center arm is spring loaded and will lift upwards. With one hand positioned on the bottom of the sign and the other hand holding the 34" black pvc post (F) in place - push the sign up into the center slot of the upper arm. The arm will move upwards allowing for the bottom of the sign to drop into the lower arms. See Figure 6.

Figure 6



Push Sign Up Into Place

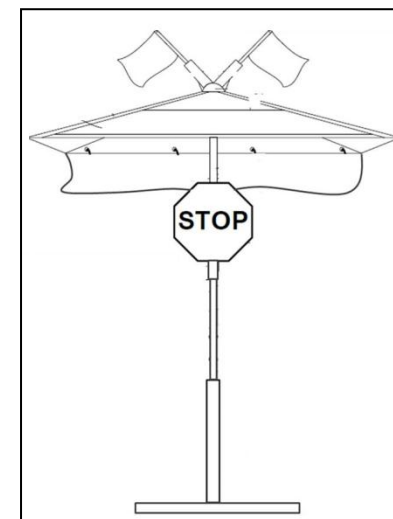
Note: Stop/Slow Signs Not Included

## Step 12

Add 40lb Sand Bag/Weight to the Rolling Base.

## Step 13

When job is complete, store parts and all other components in FlaggerJoe carry/storage bag (H).



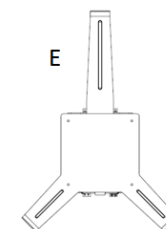
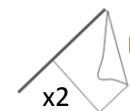
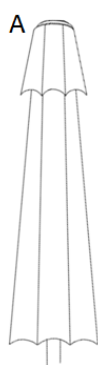
Finished Assembly

## NOTE: Intended Use Statement

Remove canopy when winds exceeds 10 – 15 miles per hour.  
Never position the drop down sun flap towards oncoming traffic  
When wind is present, never leave FlaggerJoe unattended.



- A = Umbrella Canopy
- B = Lower Umbrella Pole
- C = Double Flag Finial
- D = Flags (2)
- E = Sign Mount
- F = 34" Black PVC Post
- G = Extra Top Pole
- H = Carry / Storage Bag



Note:  
"E" ships separately

Note: 40lb Sand Bag/Weight required but not included

Questions: Call Customer Service at 888-329-3436

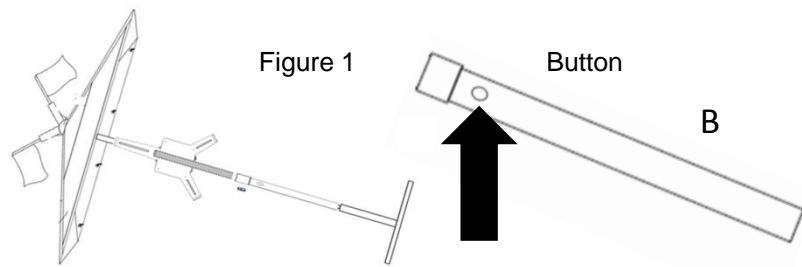
## WHEN WIND IS PRESENT

### Step 1

Remove Stop/Slow Signs from sign mount (E).

### Step 2

Lean the umbrella on the ground. See Figure 1. Push button "In" on the side of the lower umbrella pole (B). Pull umbrella canopy (A) away from lower umbrella pole (B). Remove Sign Mount (E&F) from the umbrella canopy pole and lay on the ground.



### Step 3

Close the umbrella canopy and remove the double flag finial and flags from the top of the umbrella. Store umbrella canopy (A) back in FlaggerJoe storage/carry Bag (H).

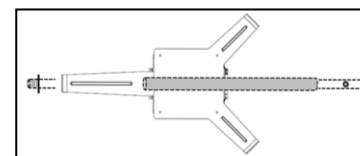
### Step 4

Remove the protective cap on top of the extra top pole (G) and screw on the Double Flag Finial (C) into position. Add flags.

### Step 5

Slide the 34" black pvc post (E&F) onto the Top pole (G) Make sure the entire post slides past the push button and up the pole. See Figure 3.

Figure 3



### Step 6

Connect the lower pole (B) with the Top pole (G). Make sure the button on the Top pole (G) pops out of the side of the lower pole (B) and is secure.

### Step 7

Inspect double Flags position compared to oncoming traffic and signs. Adjust if needed.

### Step 8

Insert Stop/Slow signs on to sign mount (E). The center arm is spring loaded and will lift upwards. With one hand positioned on the bottom of the sign and the other hand holding the 34" black pvc post (F) in place - push the sign up into the center slot of the upper arm. The arm will move upwards allowing for the bottom of the sign to drop into the lower arms. See Figure 4.

Figure 4



Push Sign  
Up Into Place

**Note: Stop/Slow Signs Not Included**

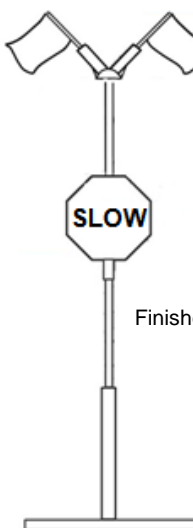
### Step 10

Add 40lb Sand Bag/Weight to the Rolling Base.

### Step 11

When job is complete, store parts and all other components in "H".

Finished Assembly



FlaggerJoe™

